

LGMG ELECTRIC REACH TRUCK



SPECIFICATIONS

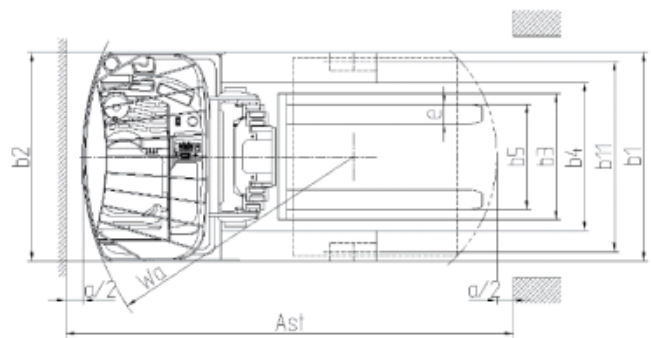
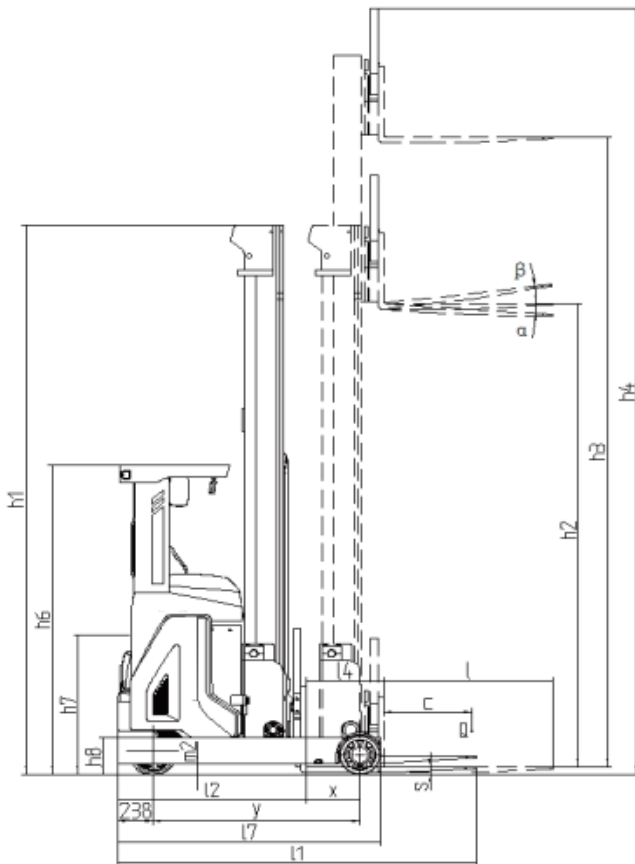
MODELS		CQD16	CQD20
Drive	/	Electric	Electric
Type of operation	/	Seated	Seated
Load capacity/rated load	Q(kg)	1600	2000
Load centre distance	c(mm)	600	600
Load distance,centre of drive axle to fork	x(mm)	365/176	395/200
Wheelbase	y(mm)	1400	1500
Weights			
Service weight incl. battery	kg	3990	4250
Axle load, mast retracted without load, drive/support arm wheel	kg	2450/1540	2580/1670
Axle load, mast extended with load, drive/support arm wheel	kg	890/4700	766/5484
Axle load, mast retracted with load, drive/support arm wheel	kg	2180/3410	2290/3960
Wheels, Chassis			
Type:solid rubber,superelastic,pneumatic,polyurethane	/	Pu	Pu
Tyres size,front	Øxw(mm)	Ø343×140	Ø343×140
Tyres size,rear	Øxw(mm)	Ø285×110	Ø330×110
Wheels,number front/rear(x=driven wheels)	/	1×/2	1×/2
Track width,front	b11(mm)	1160	1160
Basic Dimensions			
Mast/fork carriage tilt forward/backward	α / β(°)	4°/-2°	4°/-2°
lowered mast height	h1(mm)	2235	2235
Free lift	h2(mm)	1563	1563
Lift height	h3(mm)	4500	4500
Extended mast height	h4(mm)	5410	5410
Overhead load guardheight	h6(mm)	2200	2200
Seat height/standing height	h7(mm)	960	960
Height of support arms	h8(mm)	270	270
Height of lowered forks	h13(mm)	40	40
Overall length	l1(mm)	2412	2488
Length to face of forks	l2(mm)	1273	1338
Overall width	b1(mm)	1270	1270
Fork dimensions	s/e/l(mm)	35/100/1150	40/120/1150
Fork carriage ISO 2328,class/type A,B	/	2A	2A
Width across forks	b5(mm)	200-740/200-818	240-740/240-818
Distance between support arms	b4(mm)	900	900
Reach distance	l4(mm)	525	595
Ground clearance,laden,under mast	m1(mm)	90	90
Ground clearance,centre of wheelbase	m2(mm)	75	75
Aisle width for pallets 1000×1200 crossways	Ast(mm)	2720	2840
Aisle width for pallets 800×1200 lengthways	Ast(mm)	2780	2900
Turning radius	Wa(mm)	1650	1750
Length across support arms	l7(mm)	1780	1900
Performance Data			
Travel speed,laden/unladen	km/h	10.5/10.5	10.5/10.5
Lift speed,laden/unladen	m/s	0.35/0.5	0.35/0.5
lowering speed,laden/unladen	m/s	0.45/0.45	0.45/0.45
Reach speed, with/without load	m/s	0.1/0.1	0.1/0.1
Max. gradeability, with/without load	%	10/10	10/10
Service brake	/	Hydraulic/electric	Hydraulic/electric
E-Motor			
Drive motor rating S2 60 min	kw	6.4/7	6.4/7
Lift motor rating at S3 15%	kw	12.5	12.5
Battery standard	/	Lion	Lion
Battery voltage,nominal capacity K5	V/Ah	48/300	48/400
		option: 48/400	option: 48/300
Other Details			
Type of drive control	/	AC	AC
Sound level at driver's ear according to EN 12 053	dB(A)	68	68

LGMG ELECTRIC REACH TRUCK



CQD16/CQD20

Model	Lift height	Free lift	Mast height	Tilt of fork
	h3 (mm)	h2 (mm)	h1 (mm)	$\alpha / \beta(^{\circ})$
16M450	4500	1563	2235	4°/-2°
16M500	5000	1730	2400	4°/-2°
16M550	5500	1897	2568	4°/-2°
16M600	6000	2063	2735	4°/-2°
16M650	6500	2230	2900	4°/-2°
16M700	7000	2397	3068	4°/-2°
16M750	7500	2563	3234	4°/-2°
16M800	8000	2730	3400	4°/-2°
16M850	8500	2897	3567	4°/-2°
16M900	9000	3063	3734	4°/-2°
16M950	9500	3230	3900	4°/-2°
20M450	4500	1563	2235	4°/-2°
20M500	5000	1730	2400	4°/-2°
20M550	5500	1897	2568	4°/-2°
20M600	6000	2063	2735	4°/-2°
20M650	6500	2230	2900	4°/-2°
20M700	7000	2397	3068	4°/-2°
20M750	7500	2563	3234	4°/-2°
20M800	8000	2730	3400	4°/-2°
20M850	8500	2897	3567	4°/-2°
20M900	9000	3063	3734	4°/-2°
20M950	9500	3230	3900	4°/-2°



LGMG ELECTRIC REACH TRUCK



SPECIFICATIONS

MODELS		CQD16A	CQD20A	CQD20B
Drive	/	Electric	Electric	Electric
Type of operation	/	Seated	Seated	Seated
Load capacity/rated load	Q(kg)	1600	2000	2000
Load centre distance	c(mm)	600	600	600
Load distance,centre of drive axle to fork	x(mm)	365/176	395/200	405/234
Wheelbase	y(mm)	1400	1500	1590
Weights				
Service weight incl. battery	kg	3960	4220	5200
Axle load,mast retracted without load,drive/support arm wheel	kg	2420/1540	2560/1660	/
Axle load,mast extended with load,drive/support arm wheel	kg	830/4760	746/5474	/
Axle load, mast retracted with load,drive/support arm wheel	kg	2100/3460	2270/3950	/
Wheels, Chassis				
Type:solid rubber,superelastic,pneumatic,polyurethane	/	Pu	Pu	pu
Tyres size,front	Øx w(mm)	Ø343×140	Ø343×140	Ø400×160
Tire size,rear	Øx w(mm)	Ø285×110	Ø330×110	Ø330×140
Wheels,number front/rear(x=driven wheels)	/	1×/2	1×/2	1×/2
Track width,rear	b11(mm)	1160	1160	1290
Basic Dimensions				
Mast/fork carriage tilt forward/backward	α / β(°)	4°/-2°	4°/-2°	4°/-2°
lowered mast height	h1(mm)	2235	2235	4067
Free lift	h2(mm)	1563	1563	3397
Lift height	h3(mm)	4500	4500	10000
Extended mast height	h4(mm)	5410	5410	10910
Overhead load guardheight	h6(mm)	2200	2200	2200
Seat height/standing height	h7(mm)	960	960	1100
Height of support arms	h8(mm)	270	270	270
Height of lowered forks	h13(mm)	40	40	40
Overall length	11(mm)	2412	2488	2580
Length to face of forks	12(mm)	1273	1338	1430
Overall width	b1/b2(mm)	1270	1270	1430/1270
Fork dimensions	s/e/l(mm)	35/100/1150	40/120/1150	40/120/1150
Fork carriage ISO 2328, class/type A, B	/	2A	2A	2A
Width across forks	b5(mm)	200-740/200-818	240-740/240-818	200-740
Distance between support arms	b4(mm)	900	900	1000
Reach distance	14(mm)	525	595	640
Ground clearance,laden,under mast	m1(mm)	90	90	90
Ground clearance,centre of wheelbase	m2(mm)	75	75	75
Aisle width for pallets 1000×1200 crossways	Ast(mm)	2720	2840	2880
Aisle width for pallets 800×1200 lengthways	Ast(mm)	2780	2900	2957
Turning radius	Wa(mm)	1650	1750	1840
Length across support arms	17(mm)	1780	1900	2000
Performance Data				
Travel speed,laden/unladen	km/h	10.5/10.5	10.5/10.5	10.5/10.5
Lift speed,laden/unladen	m/s	0.35/0.5	0.35/0.5	0.35/0.5
lowering speed,laden/unladen	m/s	0.45/0.45	0.45/0.45	0.45/0.45
Reach speed,with/without load	m/s	0.1/0.1	0.1/0.1	0.1/0.1
Max. gradeability,with/without load	%	10/10	10/10	10/10
Service brake	/	Hydraulic/electric	Hydraulic/electric	Hydraulic/electric
E-Motor				
Drive motor rating S2 60 min	kw	6.4/7	6.4/7	7
Lift motor rating at S3 15%	kw	12.5	12.5	12.5
Battery standard	/	Lion	Lion	Lion
Battery voltage,nominal capacity K5	V/Ah	48/300 option: 48/400	48/400 option: 48/300	48/400 option: 48/300
Other Details				
Type of drive control	/	AC	AC	AC
Sound level at driver's ear according to EN 12 053	dB(A)	68	68	68

LGMG ELECTRIC REACH TRUCK



CQD16A/CQD20A

Model	Lift height	Free lift	Mast height	Tilt of fork
	h3 (mm)	h2 (mm)	h1 (mm)	$\alpha / \beta(^{\circ})$
16M450	4500	1563	2235	4°/-2°
16M500	5000	1730	2400	4°/-2°
16M550	5500	1897	2568	4°/-2°
16M600	6000	2063	2735	4°/-2°
16M650	6500	2230	2900	4°/-2°
16M700	7000	2397	3068	4°/-2°
16M750	7500	2563	3234	4°/-2°
16M800	8000	2730	3400	4°/-2°
16M850	8500	2897	3567	4°/-2°
16M900	9000	3063	3734	4°/-2°
16M950	9500	3230	3900	4°/-2°
20M450	4500	1563	2235	4°/-2°
20M500	5000	1730	2400	4°/-2°
20M550	5500	1897	2568	4°/-2°
20M600	6000	2063	2735	4°/-2°
20M650	6500	2230	2900	4°/-2°
20M700	7000	2397	3068	4°/-2°
20M750	7500	2563	3234	4°/-2°
20M800	8000	2730	3400	4°/-2°
20M850	8500	2897	3567	4°/-2°
20M900	9000	3063	3734	4°/-2°
20M950	9500	3230	3900	4°/-2°

CQD20B

Model	Lift height	Free lift	Mast height	Tilt of fork
	h3 (mm)	h2 (mm)	h1 (mm)	$\alpha / \beta(^{\circ})$
20M1000	10000	3397	4067	4°/-2°
20M1050	10500	3563	4234	4°/-2°
20M1100	11000	3730	4400	4°/-2°
20M1150	11500	3897	4567	4°/-2°
20M1200	12000	4063	4733	4°/-2°
20M1250	12500	4230	4900	4°/-2°
20M1350	13500	4563	5233	4°/-2°

